

CAPACITOR RETURN

8P2002D

Size 2"

2-WAY PVC STANDARD PORT BALL VALVE WITH ELECTRIC ACTUATOR

NORMALLY CLOSED

24VDC

45 Sec. Open/Close

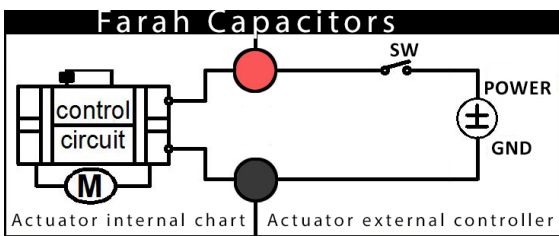


ACTUATOR

- 12V/24V AC/DC and 100-240VAC Models Available
- High-Strength, Impact Resistant IP67 PPO Housing
- Comes standard with 19" cable

WIRING DIAGRAM

2 Wire control- Power Reset



- When the SW circuit is closed the valve will open. The actuator will automatically power off after in place.
 - When the SW circuit is open the valve will close, the actuator will automatically power off after in place.
- Suitable Working Voltage:**
AC/DC9-24V, DC/AC110V-230V *
Exceeding the working voltage can potentially cause premature failure

VALVE

- PVC
- Standard Port, Sizes 1/2" to 2"
- Low torque design with capacitor return in case of power failure
- Energy efficient design reduces power consumption needs

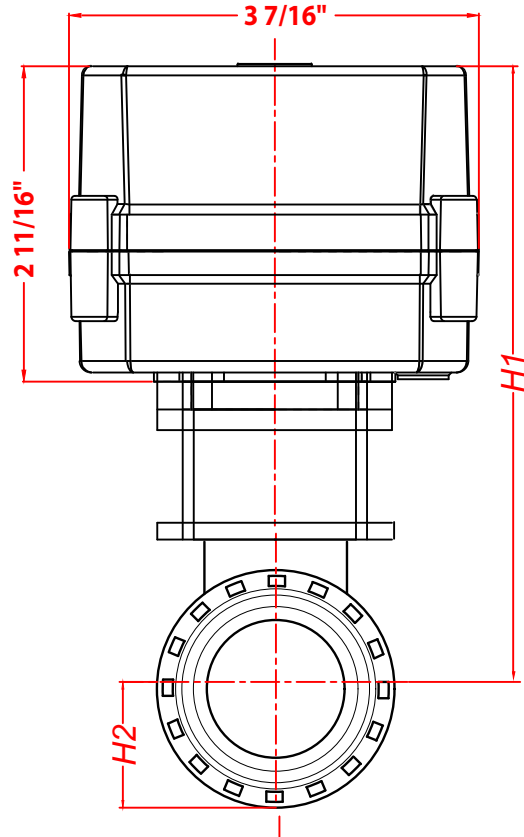
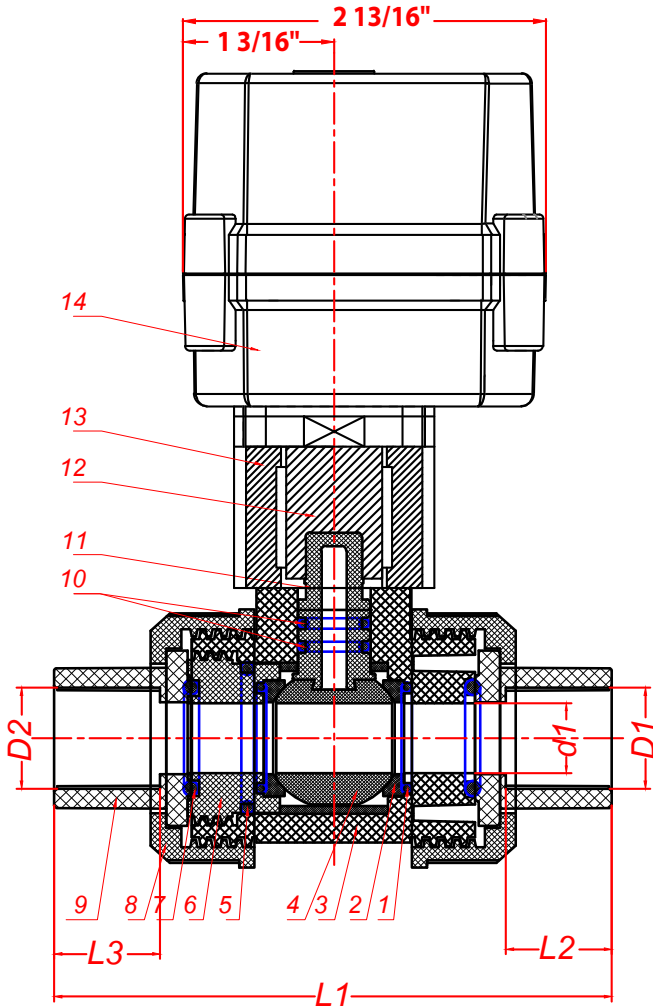
MANUAL OVERRIDE INSTRUCTIONS



In case of an electric supply failure, it is possible to operate the actuator manually:

- 1) Power must be off before using the manual override.
- 2) Gently pull up the knob turning the knob left or right to open or close the valve.
- 3) When the red needle in the indicator points to S, the valve is closed. When pointing to 0, the valve is open.
- 4) To resume normal operation the knob must be pushed down.

2 Way SIZES 1/2" THROUGH 2"



BILL OF MATERIALS

| N POS | PART NAME | MATERIAL | N. PCS |
|-------|------------|-----------------|--------|
| 1 | O-ring | EPDM/FKM | 2 |
| 2 | Sealing | PTFE | 2 |
| 3 | Valve Body | UPVC | 1 |
| 4 | Ball | UPVC | 1 |
| 5 | O-ring | EPDM/FKM | 2 |
| 6 | Bonnet | UPVC | 2 |
| 7 | O-ring | EPDM/FKM | 2 |
| 8 | Gland | UPVC | 2 |
| 9 | Socket | UPVC | 2 |
| 10 | O-ring | EPDM/FKM | 2 |
| 11 | Stem | UPVC | 1 |
| 12 | Coupling | Stainless Steel | 1 |
| 13 | Holder | Stainless Steel | 1 |
| 14 | Actuator | PPO | 1 |

DIMENSIONS

| Size | D1/D2 | d1 | L1 | L2/L3 | H1 | H2 |
|------|-------|----|----------|--------|---------|----------|
| 2" | 2" | 2" | 6-13/16" | 1-1/2" | 7-5/64" | 2-21/64" |